

VW T5 frame installation instructions

**NOTE IF YOUR VAN HAS A ROOF LINING PANEL
PLEASE SEE ADDITIONAL INSTRUCTIONS 81031840**

Please read instructions fully before installing

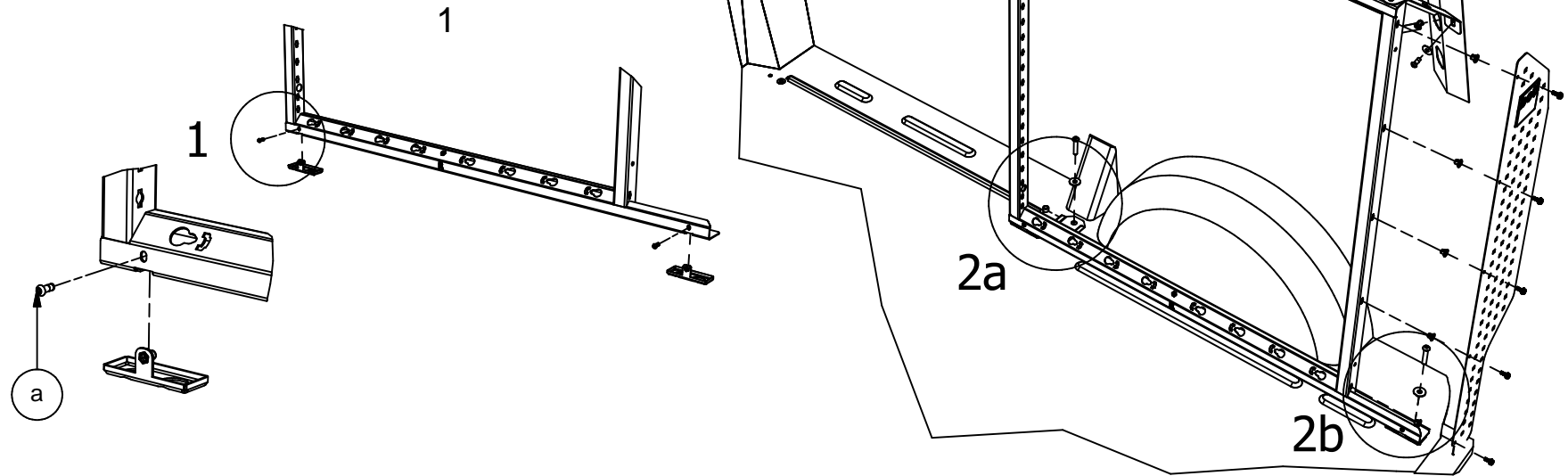
Do not fully tighten screws until frame is fitted.

We recommend this product be used with a full bulkhead.

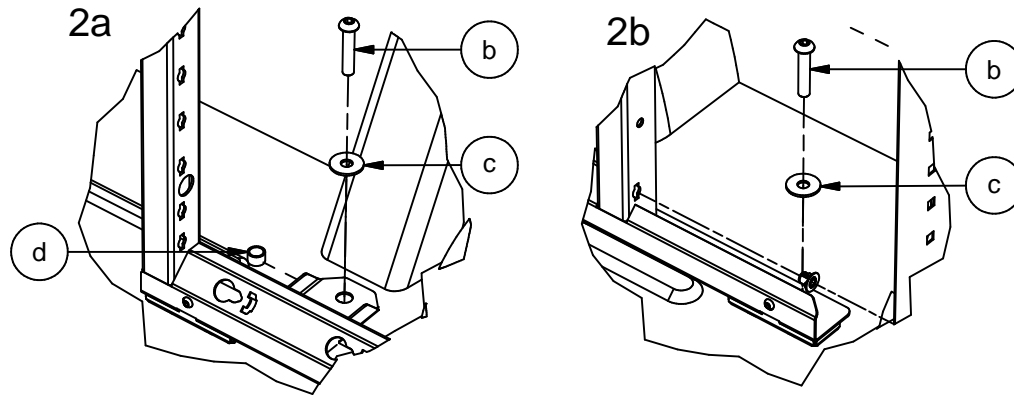
Rear frame(s)





(mirror for opposite side)

1. Fit spacer brackets to underside frame only if fitting with a modulo floor, **note; do not fit these if fitting frames over a fully profiled floor**



2. Remove lashing eyes from vehicle floor and fix frames to the vehicle lashing eye points. Note spacer used on front fixing point, an additional spacer block may be required when fitting over a fully profiled floor.



a	
	M6x16L anulock
b	
	M10x50L Bolt
c	
	M10x30 Washer
d	
	10mm spacer

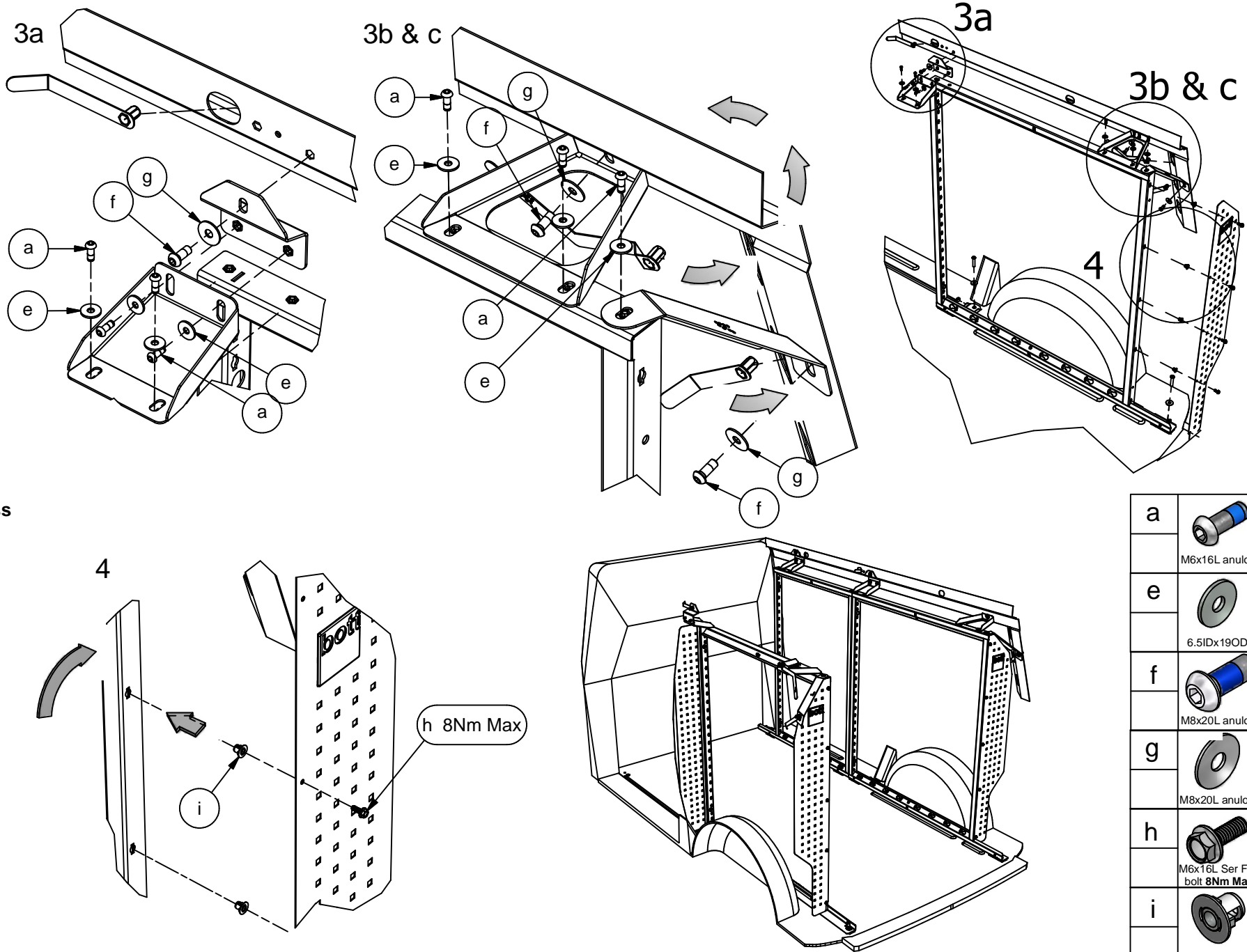
3. Fit top brackets to vehicle top rail and rear pillar;
 3a. Insert void bracket through large hole, align with top bracket fixing through the 3rd hole from the large hole, ensure bracket is pushed fully up
 3b. Insert L shape void bracket into upper rear pillar hole turning 90 degrees aligning with fixing hole in top rail.
 3c. Insert void bracket through Mid rear pillar hole.

See additional installation leaflet 81031840 for detail of how to partially remove the roof lining (if fitted to your vehicle) to gain access to the vehicles top rail fixing points.

4. Fit perfo end panel(s), insert fixings into frame and turn 90 degrees.

Note single rear frames have an additional panel at side door end.

Tighten all screws to 8Nm



a	
e	
f	
g	
h	
i	

Front frame (mirror for opposite side)

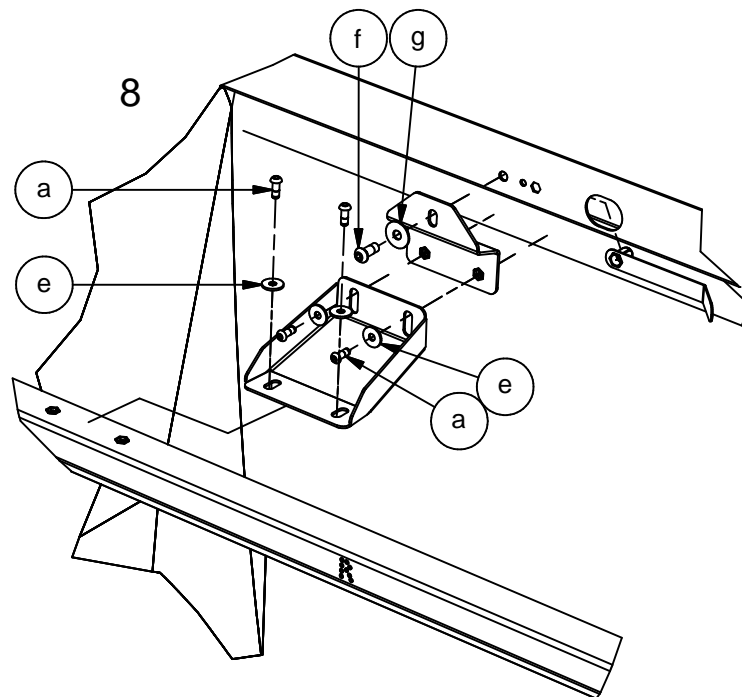
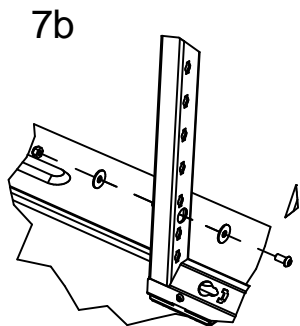
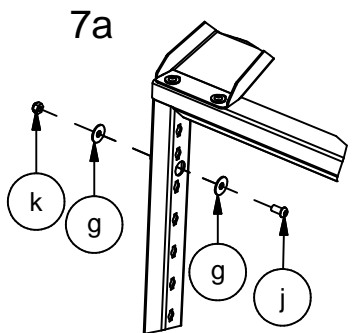
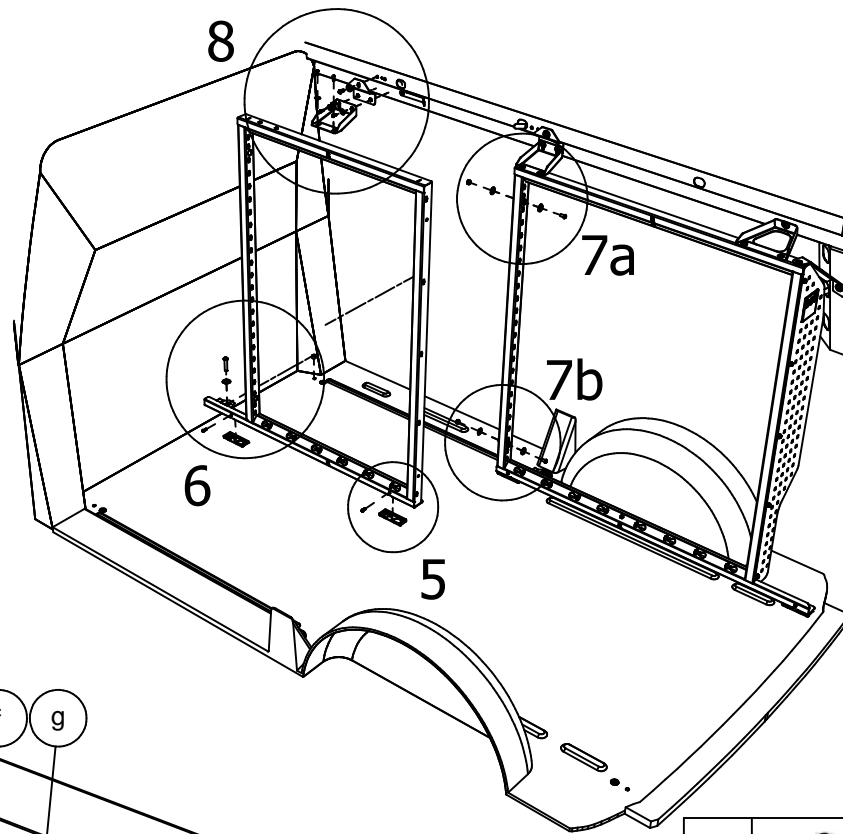
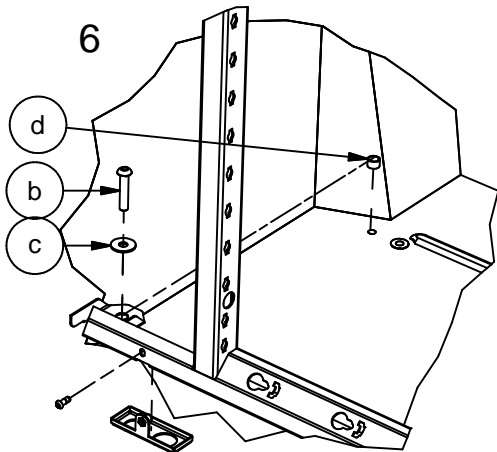
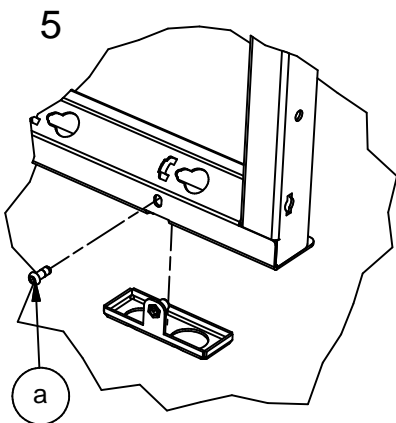
5. Fit spacer brackets to underside frame only if fitting with a modulo floor, **note; do not fit these if fitting frames over a fully profiled floor.**

6. Remove lashing eye from vehicle floor and fix frames to the vehicle lashing eye point. Note spacer used on front fixing point, an additional spacer block may be required when fitting over a fully profiled floor.

7a/b. Bolt frames together at two positions.

8. Fit top bracket to vehicle top rail; Insert void bracket through large hole, align with top bracket fixing through the 3rd hole from the large hole, ensure bracket is pushed fully up. Fit joining bracket to frame.

Tighten all screws to 8Nm



		e		6.5IDx19OD
a		f		M8x20L anulock
b		g		M8x20L anulock
c		j		M8x16L Bolt
d		k		M8 Nyloc nut